



Changzhou Suma Precision Machinery Co.,Ltd

Address: LiudaIndustrial Park, Yaoguan Town, Changzhou City, Jiangsu Province, China 213102

Contact person: Ellen Zhang Skype: suma.com5

Email: ellen@chinasuma.com Tel: 0086 18068536660

Technical Parameter of FRHD

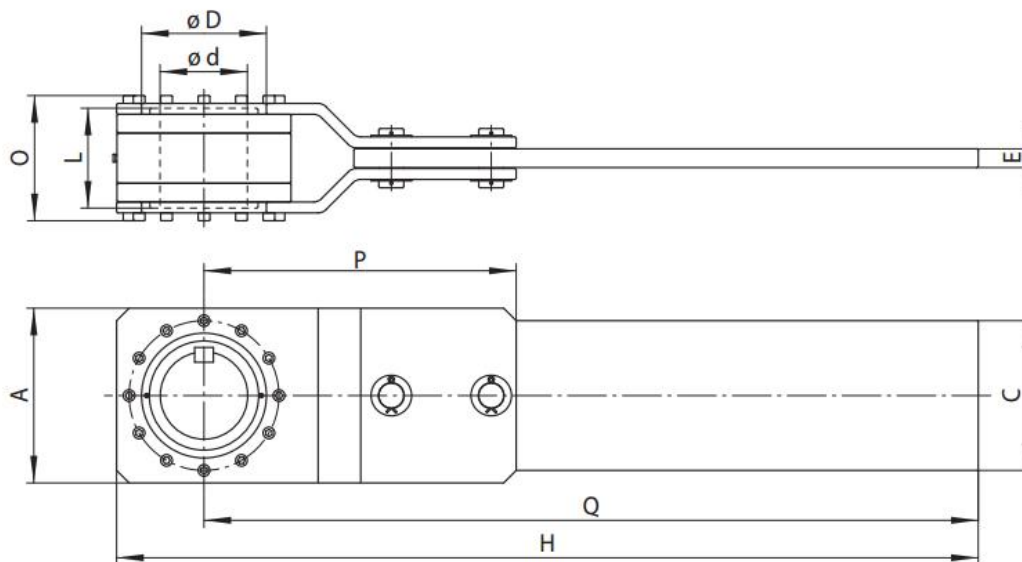
Features

Complete Freewheels FRHD with lever arm are sealed sprag freewheels with ball bearings. They are supplied oil-filled and ready for installation. The freewheels are arranged on through shafts or shaft ends.

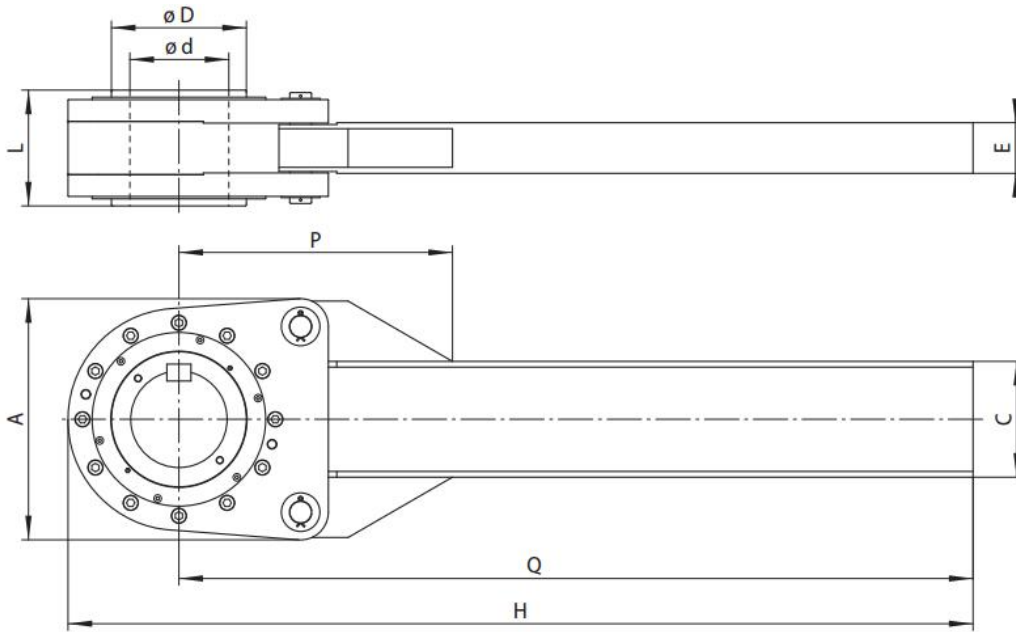
The freewheels FRHD are used as:

▶ Backstops

for low-speed applications. They are designed for use in inclined conveyor-belt systems, elevators and pumps. Taconite seals protect the backstops when conditions are dirty and dusty. Nominal torques up to 900 000 lb-ft. Bores up to 21 inch



Size FRHD 700 to FRHD 950



Size FRHD 1000 to FRHD 1800

| Freewheel Size | Maximum torque MM lb-ft | Nominal torque MN lb-ft | Maximum speed inner ring freewheels rpm | Bore d max. inch | A inch | C inch | D inch | E inch | H inch | L inch | O inch | P inch | Q inch | Weight lbs |
|----------------|-------------------------------|-------------------------------|--|---------------------|-----------|-----------|-----------|-----------|-----------|-----------|-----------|-----------|-----------|---------------|
| FRHD 700 | 7500 | 3750 | 620 | 3.44 | 8 | 6 | 5.25 | 0.5 | 36 | 6 | 6.75 | 16.38 | 32 | 135 |
| FRHD 775 | 15000 | 7500 | 540 | 3.75 | 9.75 | 8 | 6 | 1 | 42.88 | 7.5 | 9 | 20.38 | 38 | 310 |
| FRHD 800 | 24000 | 12000 | 460 | 4.5 | 10.5 | 10 | 7 | 1 | 43.25 | 8 | 9.5 | 22.13 | 38 | 360 |
| FRHD 900 | 37000 | 18500 | 400 | 5.44 | 12 | 10 | 8 | 1.5 | 54 | 7.63 | 9.38 | 22.75 | 48 | 480 |
| FRHD 950 | 46000 | 23000 | 360 | 7 | 14 | 12 | 10 | 1.5 | 69 | 8 | 10 | 25 | 62 | 530 |
| FRHD 1000 | 56000 | 28000 | 360 | 7 | 17 | 8 | 9 | 4.13 | 80.38 | 8.75 | - | 23.13 | 72 | 550 |
| FRHD 1100 | 90000 | 45000 | 360 | 7 | 17 | 8 | 9 | 4.13 | 80.38 | 10 | - | 23.13 | 72 | 795 |
| FRHD 1200 | 185000 | 92500 | 250 | 9 | 23 | 10 | 12 | 4.94 | 89 | 11 | - | 28 | 78 | 1300 |
| FRHD 1300 | 220000 | 110000 | 220 | 10 | 25 | 12 | 14 | 5.25 | 95 | 12 | - | 30 | 82.88 | 1674 |
| FRHD 1400 | 280000 | 140000 | 200 | 12 | 30 | 18 | 16 | 6.25 | 107 | 13 | - | 36 | 94 | 2200 |
| FRHD 1450 | 380000 | 190000 | 200 | 12 | 30 | 18 | 16 | 6.25 | 107 | 15 | - | 36 | 94 | 2500 |
| FRHD 1500 | 580000 | 290000 | 200 | 12 | 31 | 18 | 15.1 | 6.25 | 107 | 17.6 | - | 36 | 94 | 2440 |
| FRHD 1600 | 746000 | 373000 | 140 | 14 | 32.5 | 20 | 17.6 | 6.25 | 124 | 19.3 | - | 30.44 | 108 | 3400 |
| FRHD 1700 | 1250000 | 625000 | 120 | 18 | 42.5 | 24.5 | 23 | 7.88 | 140 | 20 | - | 48 | 120 | 7000 |
| FRHD 1800 | 1800000 | 900000 | 100 | 21 | 52 | 30 | 26.5 | 10.5 | 170 | 23 | - | 54 | 144 | 12000 |

PICTURES

